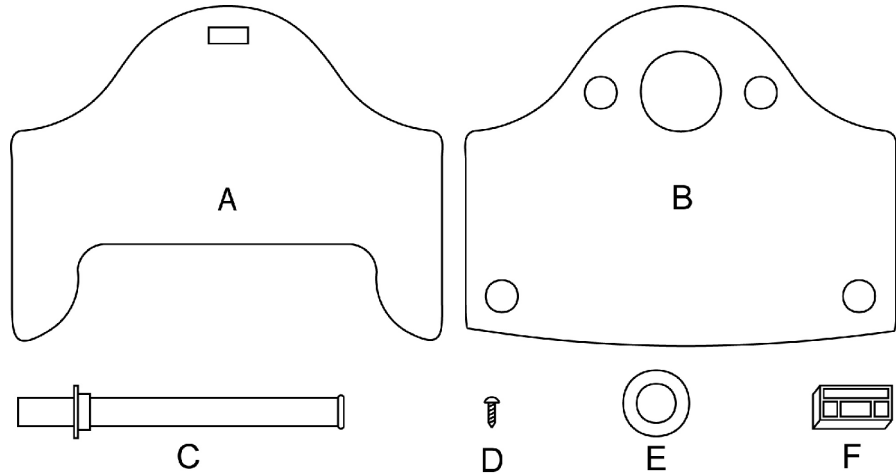


Moen Puzzle Desk Assembly

You should have:

- 1 top panel (A)
- 1 bottom panel (B)
- 4 legs (C)
- 16 screws (D)
- 4 large plastic washers (E)
- 1 rectangular grommet (F)

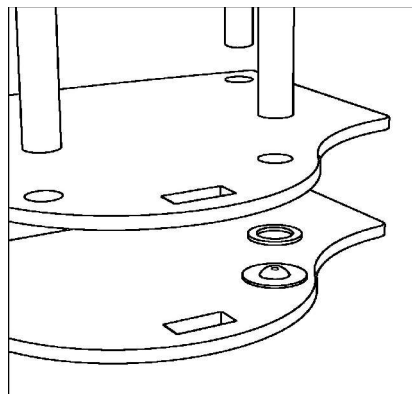


1. Place top layer of desk (A) upside down on floor with cardboard or padding underneath to prevent scratching.
2. Place bottom layer (B) (also upside down) on the top layer.
3. Place the plastic washer (E) onto the mounting plate, insert legs through holes in bottom layer and screw the legs into mounting plates.
4. Lift bottom layer up until it touches the flanges, insert screws through all holes in flanges and into the bottom layer.

Note: occasionally the legs will tighten onto the mounting plate without lining up to the inserts - in this case please use the wood screws (with the pointy tips) to just screw right into the desk panel itself.

5. Invert desk, insert grommet and you are done.

If you are using Palette CPU stands, simply lift desk and slide the 2 desk legs (on the right hand side of desk if you are sitting at the desk) into the holes in the CPU stand. Remember, the wide end of the CPU stand goes at the front.



Any problems? We care! 1-877-333-6636 or e mail: moen@planet.eon.net